

IM-13 MOTORS

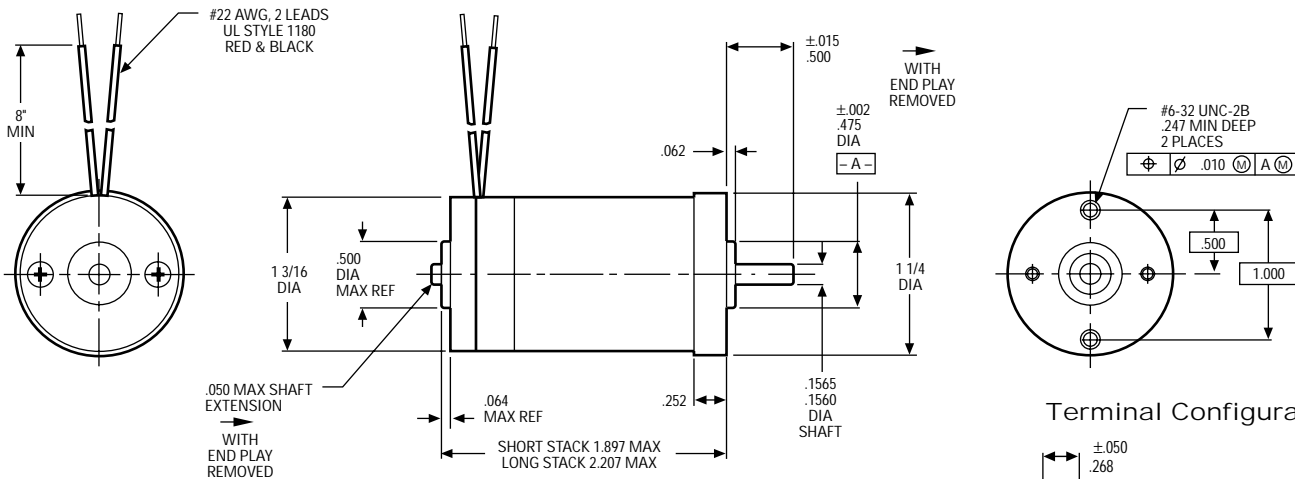
DC Ceramic Permanent Magnet Motors

E-2100

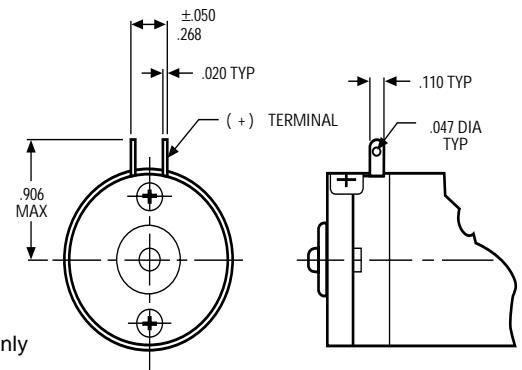


- power rating: .005 (3.7 W) short stack
.009 (6.7 W) long stack
- voltage: 12 or 24 VDC
- weight: 4.4 ounces (short stack) 5.5 ounces (long stack)
- inertia: See table, opposite page
- electrical time constant: 1.0 millisecond max
- mechanical time constant: 30.0 milliseconds max
- typical no load torque: 0.5 oz. in.
- shaft: Precision-ground and hardened stainless steel.
Options: lengths, flats, diameters, pinions, gears. Shaft material may change depending upon options selected
- magnets: Ceramic. These tolerate high-pulse currents without demagnetizing
- bearings:
 - Ball: Pre-loaded to withstand high side load and low end play
 - Sleeve: Self-aligning sleeve bearings are life-lubricated and withstand a 2-lb. side load and have .002" to .027" axial end play
- cables/leads: 8" min. #22 AWG 2 leads UL style 1180.
Terminals optional
- cover: Steel housing, zinc plate
- end bells: Die-cast zinc
- winding temperature rise: **See table, opposite page
- winding insulation rating: 180°C
- options available:
 - Gear train (see Bulletins E2130 and E2135)
 - EMI suppression
 - Terminals

Dimensions



Terminal Configuration



ROTATION (VIEWED FROM SHAFT END)
CCW - POSITIVE VOLTAGE TO (RED), NEGATIVE VOLTAGE TO (BLACK)
CW - REVERSE POLARITY

NOTE: Consult factory prior to preparing spec control prints. Dimensions are for reference only

Standard Part Numbers and Data

VOLTAGE (VDC)	SPEED ±10% NO LOAD (rpm)	CURRENT NO LOAD (max amps)	RATED TORQUE (oz. in.)	CURRENT AT RATED TORQUE (max amps)	INERTIA (oz. in. sec ² x 10 ⁻⁴)	TEMP.** RISE (°C/ watt)	TORQUE CONSTANT (oz. in./ amp)	RESISTANCE (ohms)	STANDARD PART NUMBER*
									WITH LEADS

Short Stack — Sleeve Bearings

12	5,200	.200	1.50	.80	1.4	15	2.90	7.30	405A6102-2
24	5,200	.125	1.50	.40	1.4	15	5.60	30.00	405A6102-3

Long Stack — Sleeve Bearings

12	5,200	.185	2.50	1.30	2.1	11	2.90	4.00	405A6103-2
24	5,200	.125	2.50	.65	2.1	11	5.85	15.00	405A6103-3

Short Stack — Ball Bearings

12	5,200	.200	1.50	.80	1.4	15	2.90	7.30	405A6108-2
24	5,200	.125	1.50	.40	1.4	15	5.60	30.00	405A6108-3

Long Stack — Ball Bearings

12	5,200	.185	2.50	1.30	2.1	11	2.90	4.00	405A6109-2
24	5,200	.125	2.50	.65	2.1	11	5.85	15.00	405A6109-3

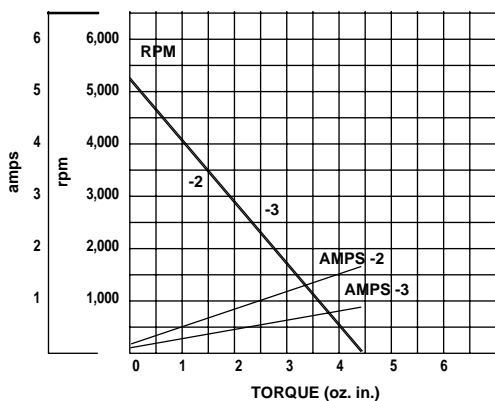
**Winding temperature rise measured when mounted to 8.00" x 8.00" x .25" aluminum plate. Multiply by 1.4 when mounted to a heat insulator

*When You Order

Units shown above are standard and may be ordered by part number. Remember to include armature winding dash number, EXAMPLE: 405A6102-2

Typical Motor Performance

Part Nos.: 405A6102, 6108



Part Nos.: 405A6103, 6109

